

safety[®]



A Product of Safety Inc USA

PFT Bacterial Viral Filter

Meets ATS/ERS requirements



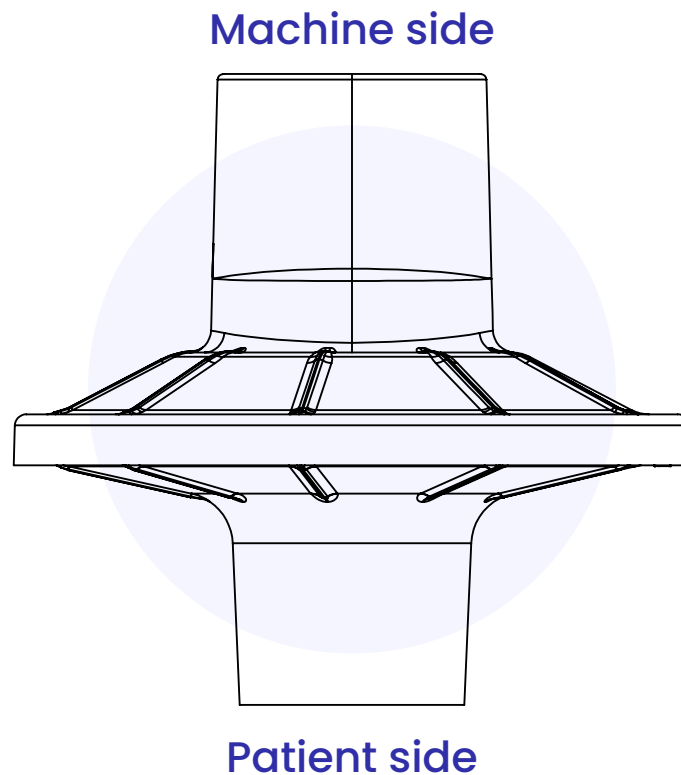
UL is a Registered Trademark of Underwriters Laboratories Inc.



FILTER MEDIA imported from The United Kingdom



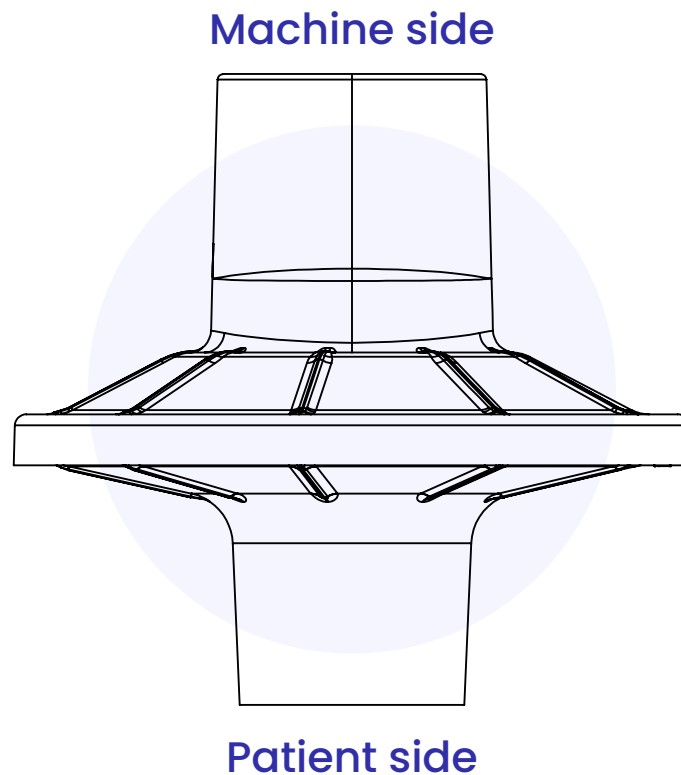
Bacterial Viral Filter



- Bacterial Efficiency → **99.9999%**
- Viral Efficiency → **99.99%**
- Pressure drop at → **14 L/s is < 1.5 H₂O**
- Low resistance to → **Flow***
- Low dead space → **45 ml**
- Per case → **100 Filters**
- Exceeds → **ATS/ERS Guidelines**

Bacterial Viral Filter 01

Model no 5200/01 [OD 30mm]

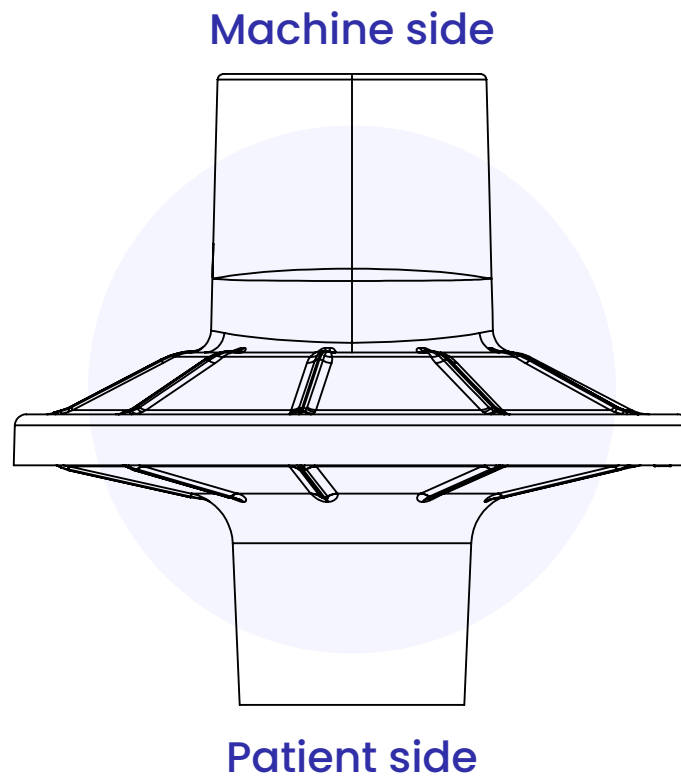


Compatible With

- Safey
- Vitalograph
- SDI Diagnostics SBG
- MIR
- MultiSpiro (old)
- Keystone (old)
- Cosmed
- Spirolite 303 / Spirolite 323
- Spirometrics 2014
- Puritan Bennett
- S&M / Clement Clarke VMI
- Clement Clarke VMX

Bacterial Viral Filter 03

Model no 5200/03 [OD 32mm]

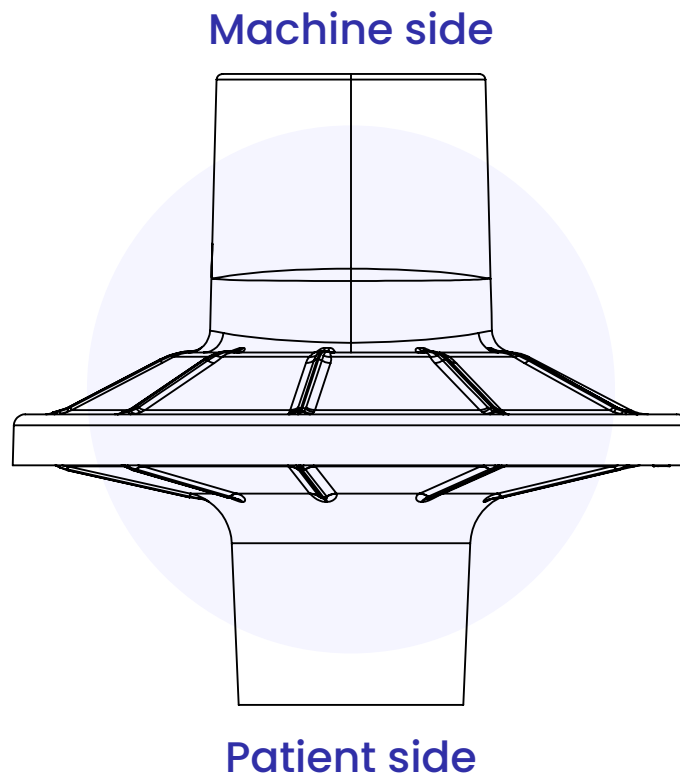


Compatible With

- Jaeger
- Sensormedics
- M.E.C.
- Geratherm

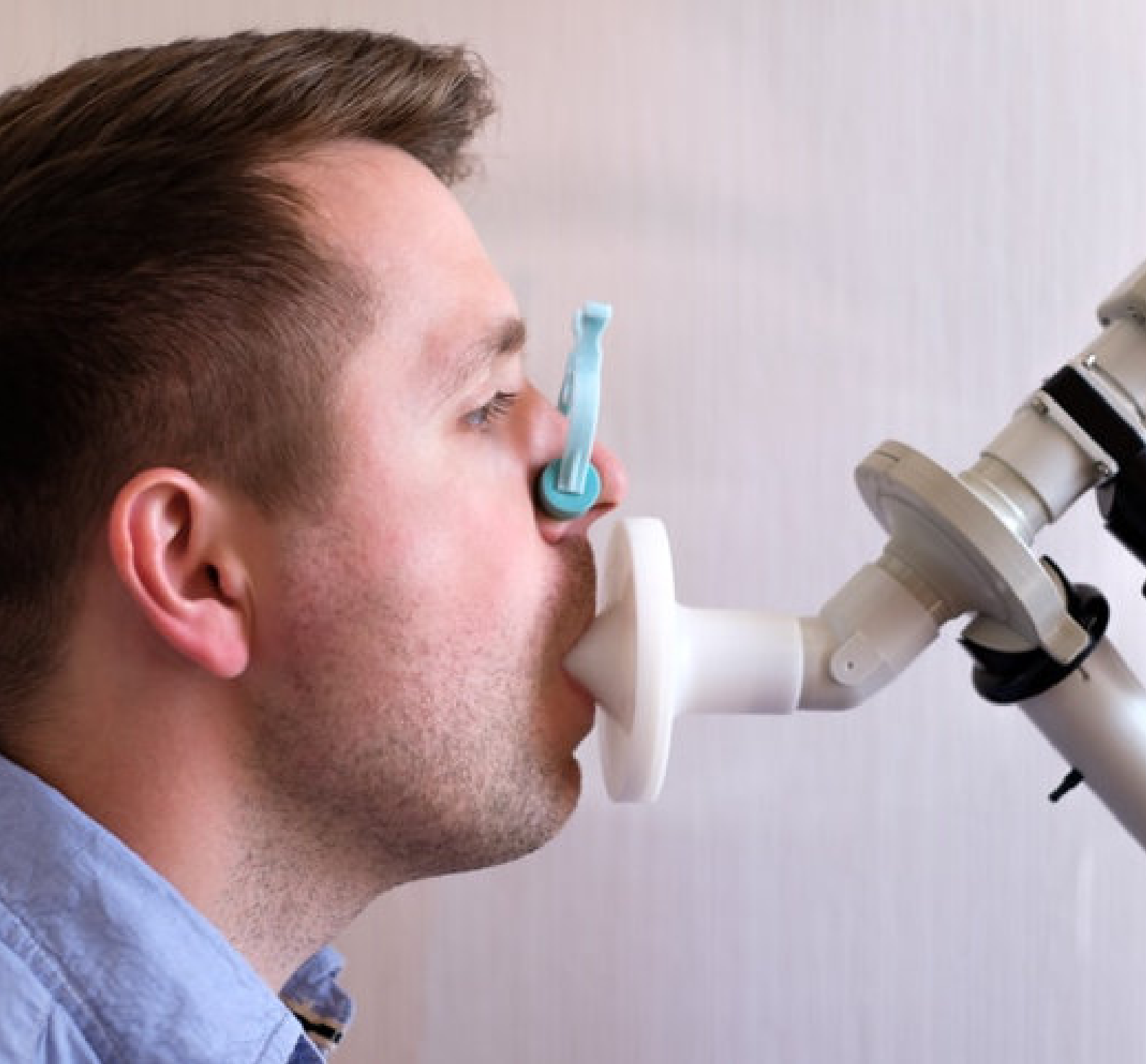
Bacterial Viral Filter 05

Model no 5200/05 [OD 34mm]



Compatible With

- Jaeger
- DLCO
- Collins Cybermedic Spinaker Exel
- MCG SpiroTube
- Spirovit Koko Moe
- PB Renaissance
- Spirotech
- Ohio
- Collins Survey



A Product of Safey Inc USA

PFT Bacterial Viral Filter

safey®

 Manufactured by



SAFEY MEDICAL DEVICES PRIVATE LIMITED

PAP S 47-48, Chakan MIDC PH II,
Khed Savardari,
Pune, Maharashtra - 410501
India

help@safeymedicaldevices.com

Made in India

A Quality Product of



SAFEY MEDICAL DEVICES INC. (Headquarters)

11325 Random Hills Road,
Suite 360, Fairfax,
VA 22030,
The United States of America



SAFEY MEDICAL DEVICES LIMITED

City View House,
5 Union Street, Ardwick,
Manchester - M12 4JD,
United Kingdom